

DATA SHEET

Premium Efficiency Motor: **PEWWE3-36-145TC**

60 Hz

WorldWide Electric Corporation

1 (800) 808-2131

Worldwideelectric.net



Document Generated: 16-Feb-2023
Document ID:

Customer:

MOTOR INFORMATION	
HP	2
RPM	3600
Phase	3
Frequency	60 Hz
Voltage	230/460 V
Frame Size	145TC
Enclosure	TEFC
Degree of Protection	IP55
Service Factor	1.15
Poles	2
Full Load Speed	3490
Insulation Class	F
Temp Rise	80°C
NEMA Code Letter	K
Duty Cycle	S1 / Continuous
Slip	3.05%
NEMA Design	B
Moment of Inertia	0.064 lb.ft.^2
Locked Rotor Time (Hot)	3 seconds
Sound Pressure Level	63 dB(A)
Number of Starts	2 Cold/ 1 Hot
Max Ambient Temperature	40°C
Max Elevation	1000 m.a.s.l (3300 f.a.s.l)
Mounting	F1
Rotation	Bi-Directional
Area of Classification	Class I, Division 2, Groups A, B, C, D
Inverter Rating	10:1 CT / 20:1 VT PWM Type
Standard	NEMA MG-1
Approvals	CSA-US, CE

EFFICIENCY/POWER FACTOR		
LOAD	EFF	P. F.
100%	86.5 %	0.85
75%	87.4 %	0.78
50%	87.2 %	0.66

TORQUE		
FULL LOAD	LRT	BDT
4.51 lb.ft.	260 %	340 %

AMPERAGE INFORMATION		
	230V	460V
Full Load Amps	7.64A	3.82A
Locked Rotor Amps	64A	32A
No Load Current	3.52A	1.76A
Usable at 208V	8.45A	

BEARING INFORMATION	
DE Bearing	6205ZZ C3
ODE Bearing	6205ZZ C3
Grease Type	--
DE Regreasing Interval	- Hours
ODE Regreasing Interval	- Hours

ADDITIONAL DATA	
F2 Suitable	No
Shaft Material	1045 Carbon Steel
Connection Diagram	230 / 460 V - 9 Lead Y
Approximate Weight	56.5 lbs.

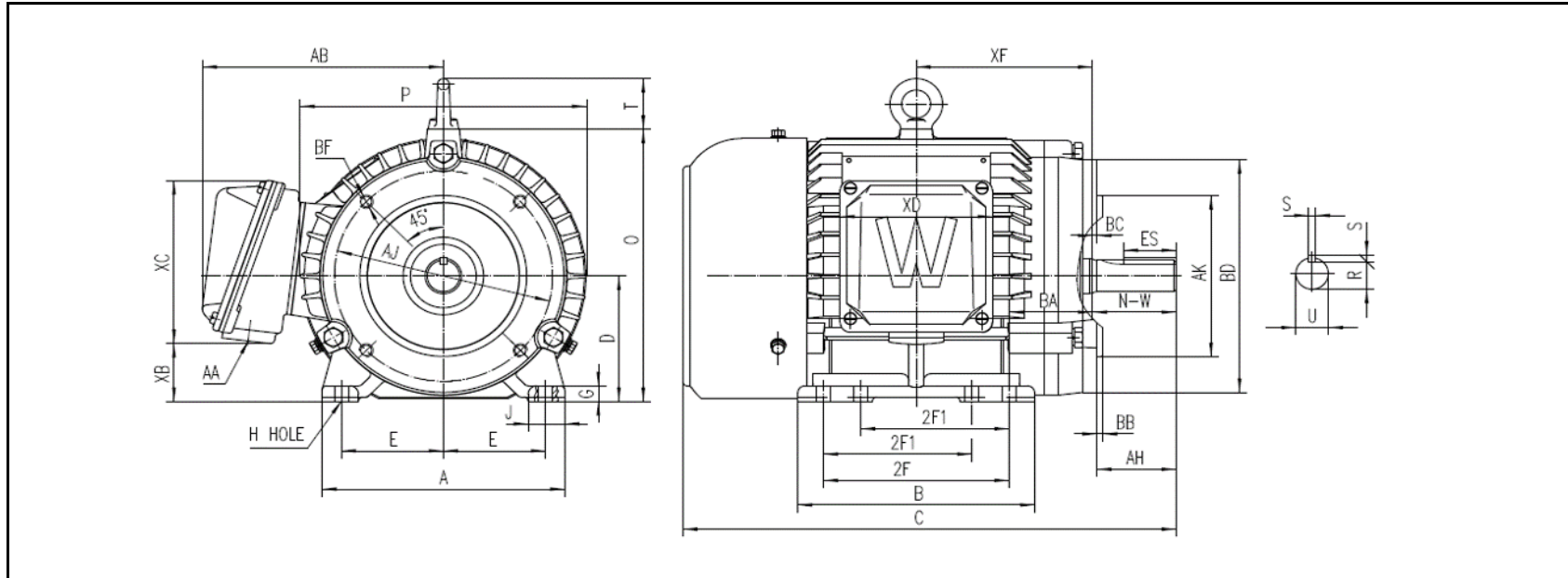
MOTOR DRAWING

Premium Efficiency Motor: **PEWWE3-36-145TC**

WorldWide Electric Corporation

1 (800) 808-2131

Worldwideelectric.net



DIMENSION - INCHES

MOUNTING					A	B	C	D	G	J	P	O	T	AB
E	2F1	2F	H	BA										
2.75	4	5	0.34	2.25	6.535	6.378	13.276	3.5	0.433	0.984	7.717	7.6	1.417	6.491

SHAFT & KEY					
S	ES	R	N-W	AH	U
0.188	1.41	0.771	2.25	2.12	0.875

TERMINAL BOX				
AA	XB	XC	XD	XF
3/4	1.61	4.55	4.094	4.748

FLANGE					
AJ	AK	BB	BD	BF	BC
5.875	4.5	0.16	6.496	3/8-16	0.12

PERFORMANCE CURVES

WorldWide Electric Corporation

1 (800) 808-2131

Worldwideelectric.net

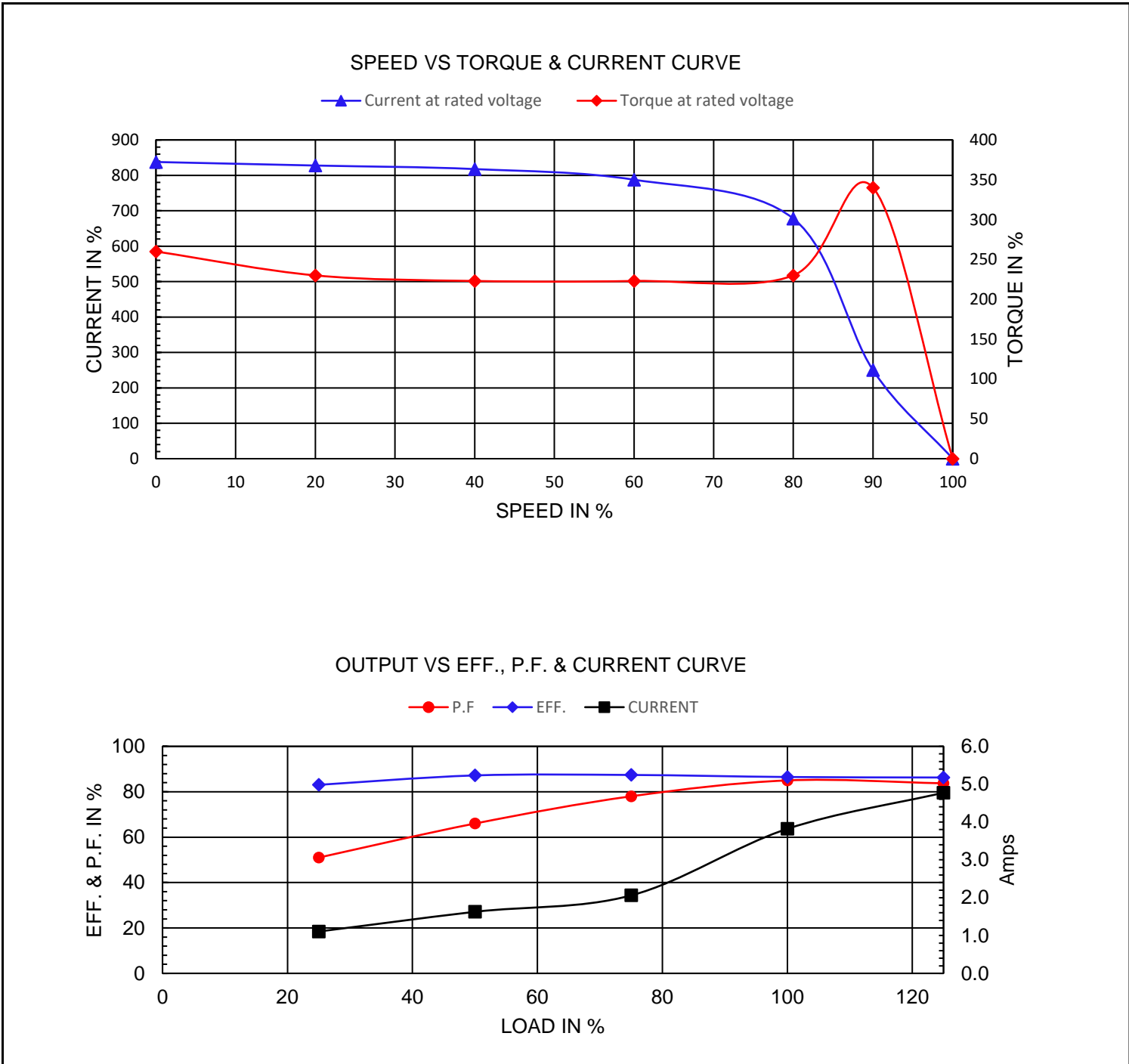


Premium Efficiency Motor:

PEWWE3-36-145TC

Document Generated:	16-Feb-2023	Customer:	
Document ID:			

Motor Type	PEWWE		
Output Rating (HP)	2	FL Speed	3490
Full Load Torque	4.51 lb.ft	LRT (%FLT)	260
		460 volt FLA	3.82
Rotor Wk ²	0.064 lb-ft ²	BDT (%FLT)	340
		230 volt FLA	7.64



NAMEPLATE / WIRING

WorldWide Electric Corporation

1 (800) 808-2131

Worldwideelectric.net



WORLDWIDE
ELECTRIC CORPORATION

Premium Efficiency Motor:

PEWWE3-36-145TC

Document Generated: 16-Feb-2023
Document ID:

Customer:

SAMPLE NAMEPLATE DATA

		NEMA Premium		3-PHASE INDUCTION MOTOR		259277 		CC006A																														
Model			Ser No.			<table border="1"> <tr><td colspan="3">Low Voltage</td></tr> <tr><td>4</td><td>5</td><td>6</td></tr> <tr><td>7</td><td>8</td><td>9</td></tr> <tr><td>1</td><td>2</td><td>3</td></tr> <tr><td>L1</td><td>L2</td><td>L3</td></tr> <tr><td colspan="3">High Voltage</td></tr> <tr><td>4</td><td>5</td><td>6</td></tr> <tr><td>7</td><td>8</td><td>9</td></tr> <tr><td>1</td><td>2</td><td>3</td></tr> <tr><td>L1</td><td>L2</td><td>L3</td></tr> </table>			Low Voltage			4	5	6	7	8	9	1	2	3	L1	L2	L3	High Voltage			4	5	6	7	8	9	1	2	3	L1	L2	L3
Low Voltage																																						
4	5	6																																				
7	8	9																																				
1	2	3																																				
L1	L2	L3																																				
High Voltage																																						
4	5	6																																				
7	8	9																																				
1	2	3																																				
L1	L2	L3																																				
HP	S.F.	IP	Encl																																			
Frame	P.F.	Code	Type																																			
Voltage	230/460	Hz	Ins Cl	Rating	°C Amb Cont																																	
Amps		RPM	Design	Date																																		
Nom. Eff.	FL	% 3/4	% 230/460V	10:1 CT	20:1 VT	PWM	VFD	1.0SF																														
Class I DIV. 2 Groups A B C D			Amb.40°C	T3C(160°C)	DE Brng																																	
Class I Zone 2 IIC			Amb.55°C	T3A(180°C)	ODE Brng																																	
					Grease type:																																	
50Hz		HP	V	A	rpm	S.F1.0																																
WorldWide Electric Corporation																																						

Model	PEWWE3-36-145TC								
HP	2	S.F.	1.15	IP	IP55	Encl	TEFC		
Frame	145TC	P.F.	0.85	Code	K	Type			
Voltage	230/460 V	Hz	60 Hz	Ins Cl	F	Ambient	40°C		
Amps	7.64/3.82	RPM	3490	Design	B	DE Brng	6205ZZ C3		
Nom. Eff.	FL	86.5%	3/4	87.4%	ODE Brng		6205ZZ C3		
						Grease type: --			
50Hz		2 HP	200/400 V	9.14/4.57 A	2870 rpm				